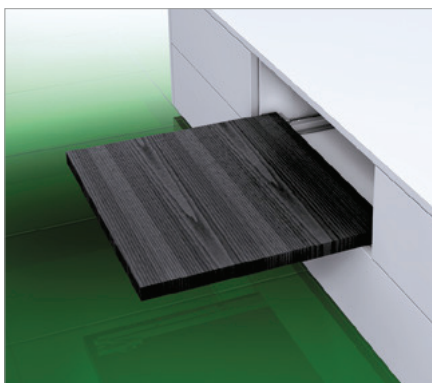


DYNAPRO

Base panel mounting and pull-out shelf



Dynapro for base panel mounting:

- Full extension drawer synchronised, 40 kg load capacity
- Soft-close damping system
- Assembly on cabinet base or additional base panel
- Particularly suitable for pull-out shelves (no screw-on bracket at side)

Shelf holder set for shelves:

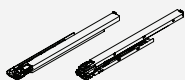
- Height adjustment +3.5 mm
- Optional depth adjustment +3.5 mm
- Stepless shelf self-locking
- Compatible with all Dynapro slides

Packaging unit (PU):

- 204 = 5 units in a cardboard box
- 210 = 15 units in cardboard box
- 211 = 20 units in cardboard box
- 233 = 200 units in a cardboard box
- 517 = 50 units in PE in a cardboard box
- 533 = 200 units in PE in a cardboard box

ORDER INFORMATION

1 Dynapro full extension slide Soft-close for base panel mounting Set: One left, one right					
NL	40 kg				
	Art.-no.	PU			
400	F130107878	204 211			
450	F130107884	204 210			
500	F130107890	204 210			
550	F130107893	204			



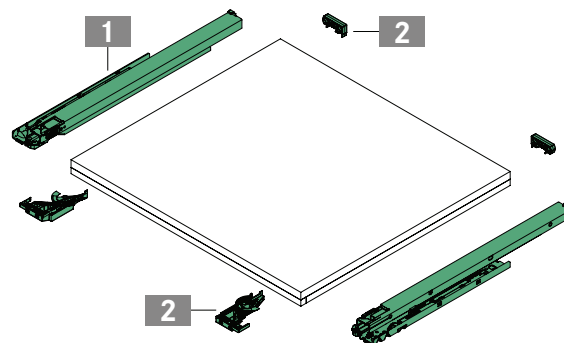
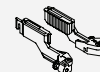
2 Dynapro 1D set Front locking device (1D) and shelf holder, one of each left/right					
	Art.-no.	PU			
	F134107411	517			



Individual components			
Description	Art.-no.	PU	
Front locking device (1D) Set: One left, one right	F134101220	517	233
Shelf holder Set: One left, one right	F134101305	533	



Optional: Depth adjustment (1D) Set: One left, one right			
	Art.-no.	PU	
	F134101313	533	

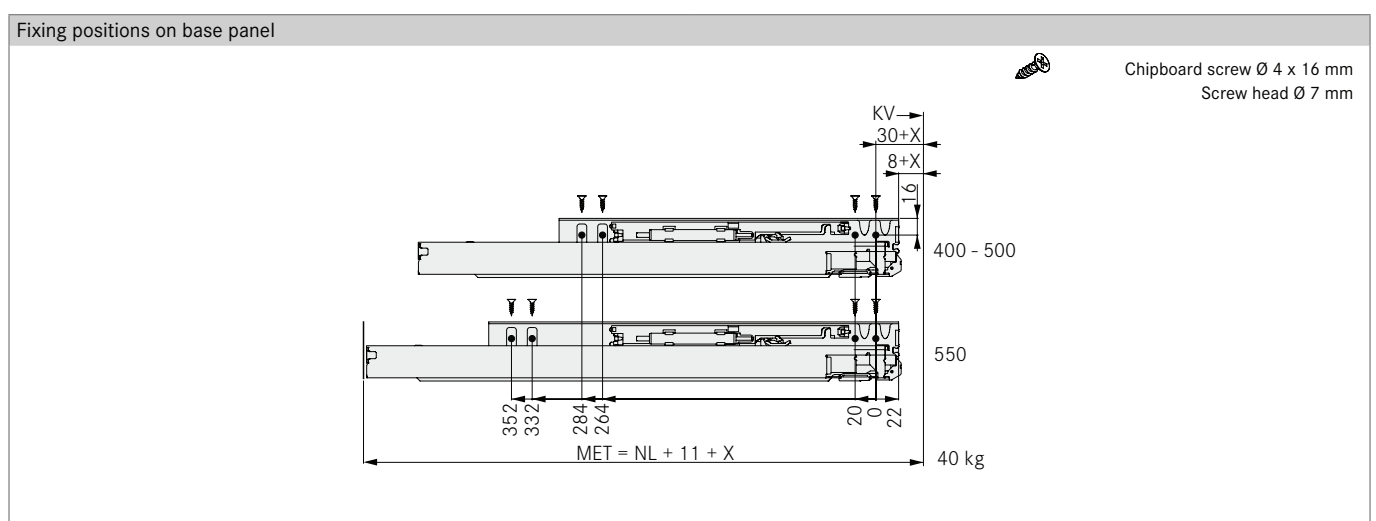
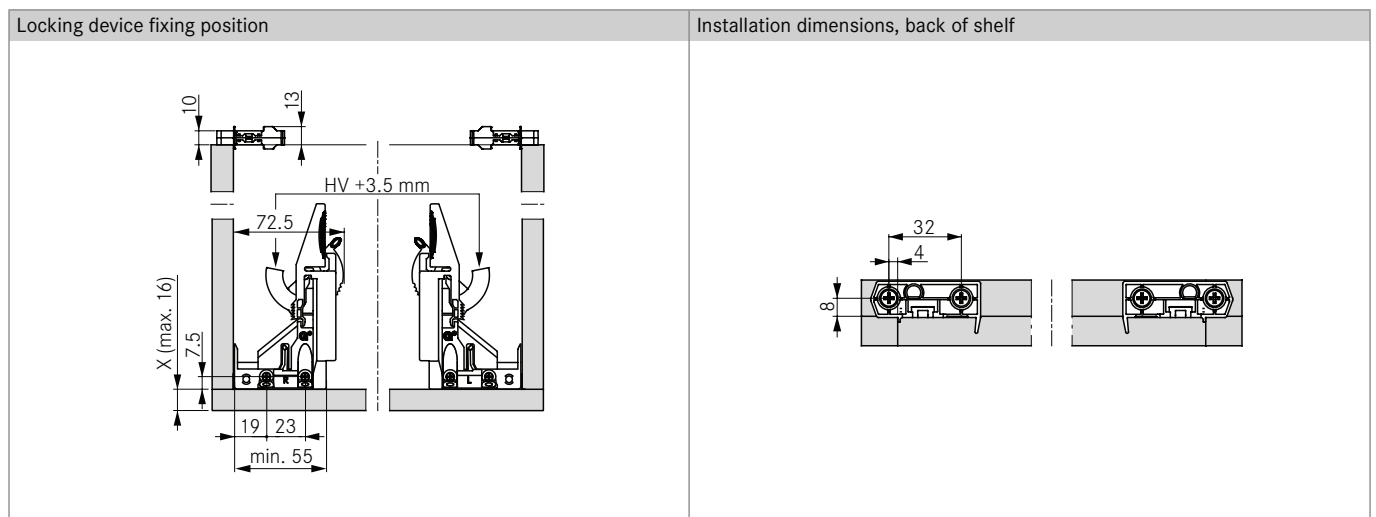
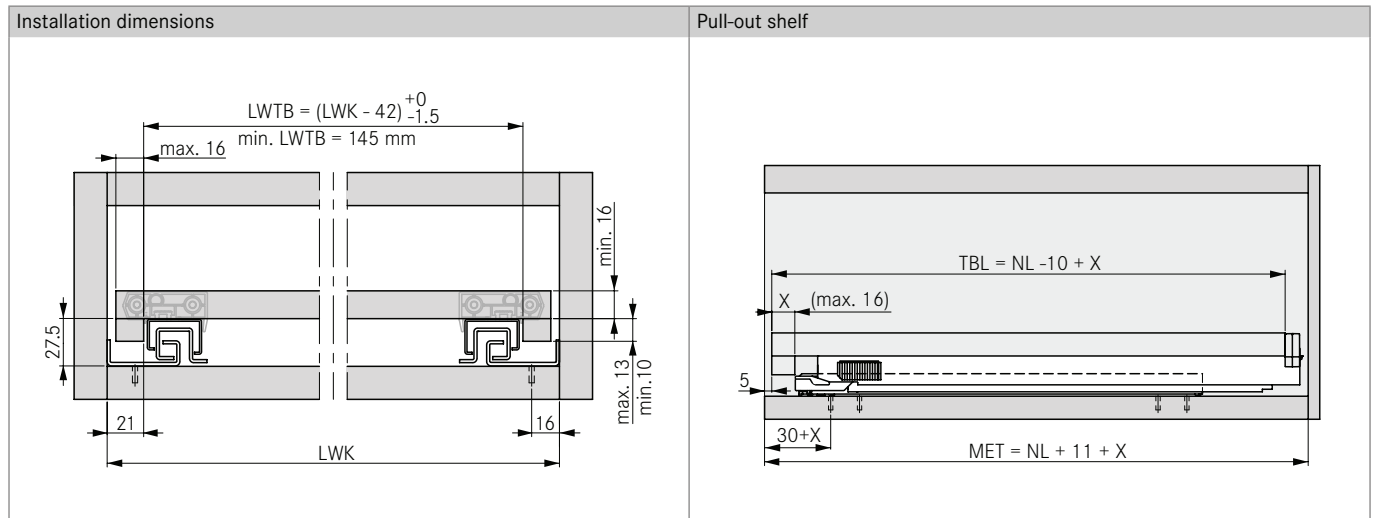


PAGE REFERENCES

Dynapro Soft-close	12	Dynapro Tipmatic	16	Assembly aids	24
Dynapro Tipmatic Soft-close	14	Technical information	20	Packaging code	75

INSTALLATION INFORMATION

All dimensions in millimetres



LEGEND

HV	Height adjustment
LWK	Inside cabinet width
LWTB	Clear shelf width
MET	Minimum installation depth

NL	Nominal length
TBL	Shelf length